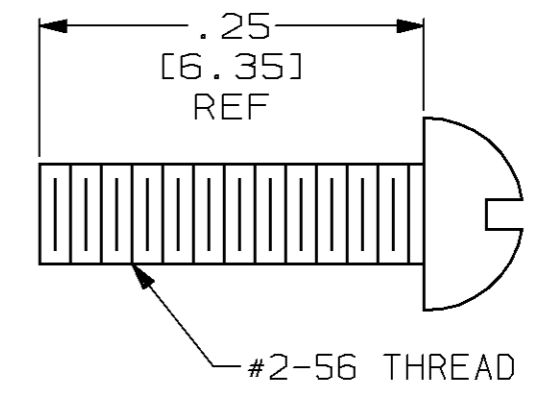
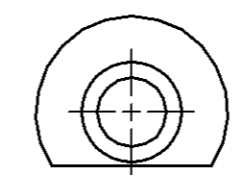
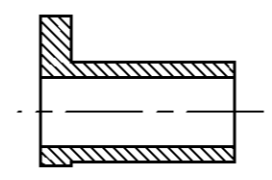
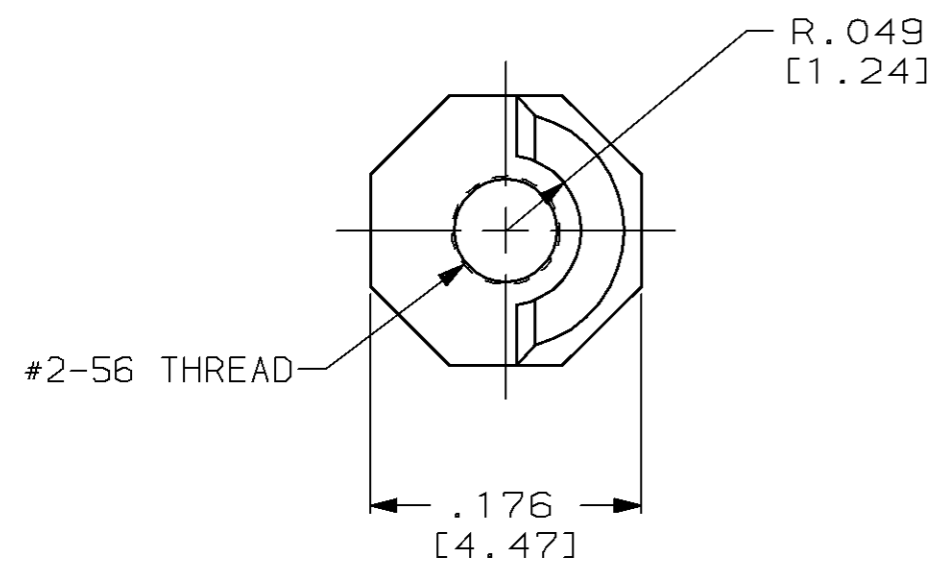


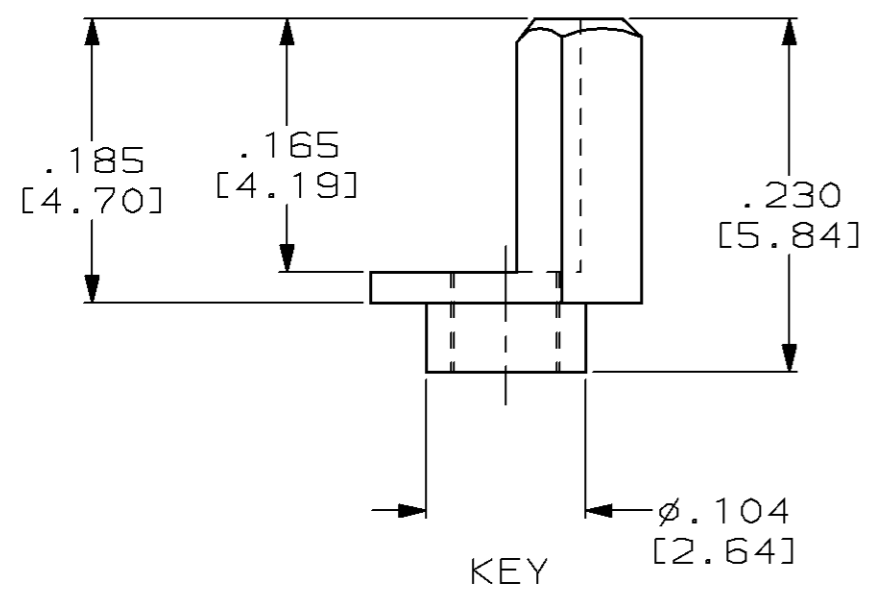
THIS DRAWING IS UNPUBLISHED. RELEASED FOR PUBLICATION, 19 .  
 © COPYRIGHT 19 BY AMP INCORPORATED. ALL RIGHTS RESERVED.

LOC	DIST	REVISIONS			
P	LTR	DESCRIPTION	DATE	DWN	APVD
DF	F0				
	C	REV PER 0600-2818-94	01-10-95	TT	DG
	D	REV PER 0600-4263-95	2-96	CT	DG



RIVET

SCREW



1. KEY PRESS FITS INTO MINI-BOX PIN HEADER AND/OR RECEPTACLES USING TOOL #91117-2.
2. SCREWS ARE TO MOUNT KEYED RECEPTACLES TO P.C. BOARD.
3. RIVET IS CRIMPED INTO KEY WITH AMP TOOL #91117-6, RIVET TOOL MUST NOT BE USED IN PLACE OF PRESS FIT TOOL.
4. SEE "IS 7894" FOR KEY INSERTION.
5. REFER TO DRAWING 534164 FOR DETAIL DIMENSIONS.

	-	2	530721-1	2	534164-2	-	-	KIT	530721-4
	-	2	530721-1	-	-	2	7-21082-1	KIT	530721-3
NOT RELEASED	-	-	-	-	-	-	-	-	530721-2
AS SHOWN	M55302/31-06	1	530721-1	-	-	-	-	KEY	530721-1
REMARKS	MILITARY PART NO.	QTY	KEY	QTY	RIVET	QTY	#2-56 SCREW .25 LONG [6.35]	DESCRIPTION	PART NUMBER

THIS DRAWING IS A CONTROLLED DOCUMENT FOR AMP INCORPORATED. IT IS SUBJECT TO CHANGE AND THE CONTROLLING ENGINEERING ORGANIZATION SHOULD BE CONTACTED FOR THE LATEST REVISION.

DOWNSIDE		DWN T. THOMPSON 01-10-95		AMP Incorporated Harrisburg, PA 17105-3608
CHECKED		CHK D. GUTTER 01-23-95		
APPROVED		APVD D. GUTTER 01-23-95		
PRODUCT SPEC		-		
APPLICATION SPEC		-		NAME
WEIGHT		-		EXTERNAL KEY, MINI-BOX, STANDARD
MATERIAL		STAINLESS STEEL		SIZE
FINISH		PASSIVATED		CAGE CODE
				DRAWING NO
				A3 00779 C-530721
		CUSTOMER DRAWING		SCALE
				8:1
				SHEET
				1 OF 1
				REV
				D